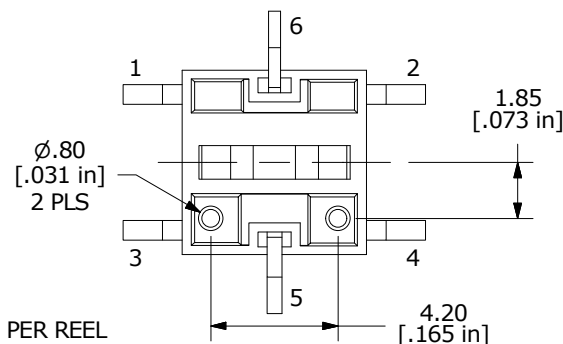
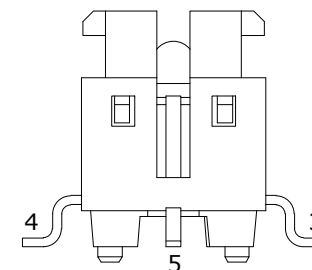
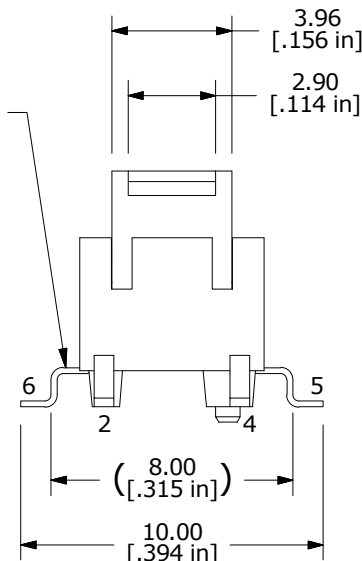
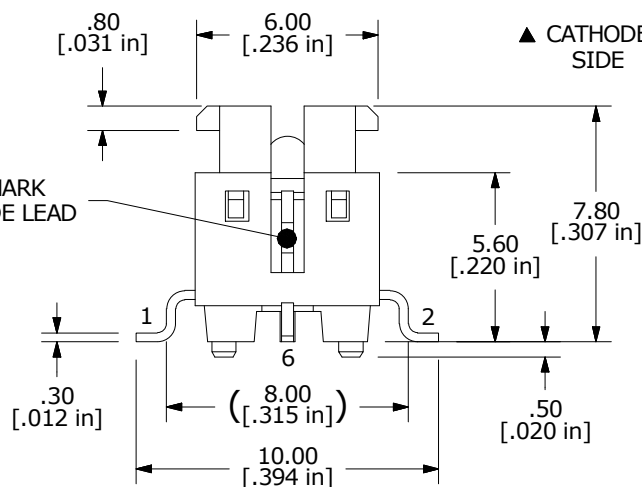
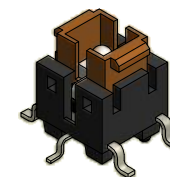
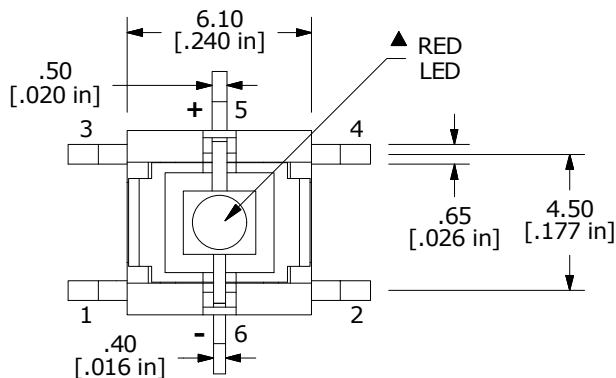


▲ **CIRCUIT: SPST**

**NOTES:**

1. ALL DIMENSIONS IN MM [INCH]
2. GENERAL TOLERANCE: X.X = ±0.4  
X.XX = ±0.25
3. CONTACT RATING: 50mA @ 12VDC
4. CONTACT RESISTANCE: 100 mΩ MAX.
5. INSULATION RESISTANCE: 100MΩ MIN @ 500VDC.
- ▲ 6. OPERATING FORCE: 160 ± 50gf
7. TRAVEL: 0.2 ± 0.1mm
8. OPERATING TEMPERATURE: -25°C to +70°C
9. OPERATING LIFE: 500,000 CYCLES
- ▲ 10. LED: RED
11. ▲ DENOTES CRITICAL PARAMETERS
12. 2011/65/EU (ROHS) COMPLIANT
13. PARTS TO BE PACKAGED IN TAPE & REEL, 450 PIECES PER REEL



▲ LED SPECS		UNITS	RED
FORWARD CURRENT	mA		20
FORWARD VOLTAGE @20mA	V		2.0 TYP; 2.3 MAX
LUMINOUS INTENSITY @ 20mA	mcd		1000 TYP

C	22949	Show Cathode lead on Pin 6 side of switch	8/7/17	MW
B	20570	Chg T&R qty from 500 to 450	4/25/12	rc
A	20373	New Release	12/12/11	rc
REV	PCR NO	DESCRIPTION	DATE	BY



TITLE TL3240F160R

SCALE	DATE	DR	DWG	REV
4:1	12/12/2011	rc	N324000	C

THE INFORMATION CONTAINED IN THIS DOCUMENT IS PROPRIETARY TO E-SWITCH AND IS NOT TO BE COPIED OR TRANSFERRED